

DIRECT ACTING SOLENOID VALVE, 2/2, NC

Pipe sizes : 1/4"
 Construction : Dry armature
 Pressure : 0 ... 4 bar
 Installation : Vertical with coil upwards
 Viscosity : max 3°E

Materials

Body : PVC
 Metal int. parts : Stainless steel

Standard voltages

A.C. : -
 D.C. : 24 V

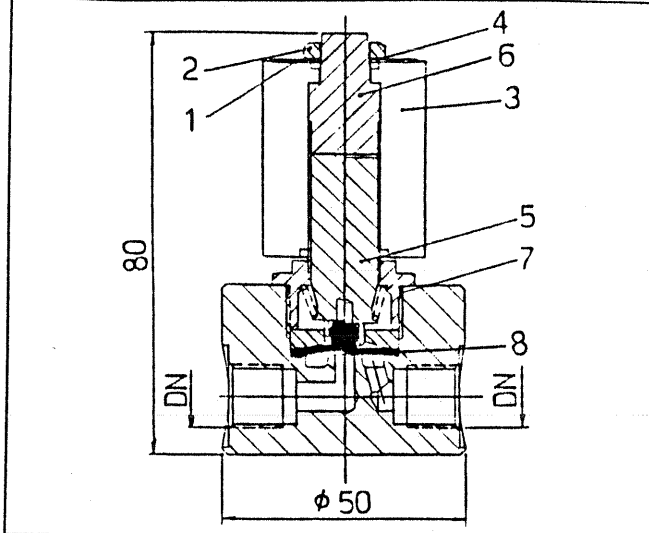
Nom. volt. tolerance

A.C. : -15% ... +10%
 D.C. : -5% ... +10%

Coil insul. class : F (+155°C) Standard
 Duty : 100% ED
 Protection class : IP 65 (with connect. DIN 43650)
 Ambient temperature : 40°C

Seals : Fluid temp. : Media :

FKM (V) -20°C ... +80°C Corrosive media, air, (chloride solvents and petrol max +70°C)



TYPE	DN R	Ø mm	Kv l/min	Qn N l/min	ΔP min bar	ΔP max				PN	⊞ kg	NOTES
						H2O		Gas				
						~ A.C. bar	= D.C. bar	~ A.C. bar	= D.C. bar			
CA9004DV40	1/4"	4,0	4,5	-	0	-	4	-	-			

SPARE PARTS

Pos.	Code	Description	Pos.	Code	Description
1	423 101	Lock washer			
2	460 003	Coil fixing nut			
3	- - -	Coil series 7			
4	534 001	Label			
5	830 491	Armature assembly, FKM			
6	824 063	Armature tube assembly, D.C.			
7	583 291	O.R. 2081 FKM			
8	585 031	Diaphragm FKM			



Thijs Thalenstraat 1
 7913 ZX Hollandscheveld
 Tel.: 00 31 (0)528 34 28 92
 Fax: 00 31 (0)528 34 28 93
 www.pneumatic.nl

Industrial Components Holland